



护罩 Shroud

规格 Specification	15	20	25	32	40	50	63	75	90	115
A	27	33	42	50	60	75	90	105	130	140
L	105	115	140	225	255	285	320	360	405	435
L1	55	55	65	140	150	155	175	185	200	210

- 护罩由硅胶制成，适用于FQM系列防水防尘防腐电缆夹紧固密封接头外表防护用。
- Shroud is made of silicone rubber. It can be used as protection shroud for FQM series weatherproof cable glands.



Weatherproof Pipe Fittings
防水防尘防腐管件系列



接地片 Earth lug

规格尺寸 Specification	M20	M25	M32	M40	M50	M63	M75
额定每秒短路电流(KA) Rated short circuit current per second	3.06	4.00	5.40	7.20	10.40	10.40	10.40

- 接地片是用于电缆密封接头进线和设备之间提供接地连接。
- Earth lug is used for earth connection between cable gland and equipments.



锁母 Lock nut

- 锁母用于通头与壳体连接的并紧，碳素钢或不锈钢材质，规格有M16~M75等螺纹规格供选用；
- 螺纹规格可根据要求特制。
- Lock nut is used for locking the cable gland and enclosure; material: carbon steel or stainless steel, M16~ M75 threads can be optional.
- The specification of thread can be customized on request.



O型密封圈 O type sealing ring

- 用于通头与壳体间的密封，防水防尘，硅橡胶材质；
- 规格有M16~M75等供选用。
- Used for sealing between cable gland and enclosure, waterproof and dustproof performance. Material: silicone rubber.
- M16~ M75 threads can be optional.



聚四氟乙烯垫圈 PTFE washer

- 用于通头与壳体间的密封，防水防尘，GFK材质；
- 规格有M16~M75等供选用；
- 有红色纤维材质垫圈可选。
- Used for sealing between cable gland and enclosure, waterproof and dustproof performance. Material: GFK
- M16~ M75 threads can be optional.
- Red fiber material washer is optional.



锯齿状垫圈 Serrated washer

- 不锈钢材质，用于防止设备运行时密封接头和螺母间的松动；
- 规格有M16~M75等供选用。
- Stainless steel, to lock the sealing joint and nut when the equipment is running
- M16~ M75 threads can be optional.

安装附件

Mounting Accessories



Weatherproof Pipe Fittings
防水防尘防腐管件系列



防水堵头 weatherproof plug

- ◇ 适用于电气设备中有备用的引入装置中起密封作用，可防止水或灰尘进入备用通头内，采用不锈钢制成，有M16~M75等螺纹规格供选用；
- ◇ 螺纹规格可根据要求定制。
- ◇ Used for sealing of spare cable entry to prevent water or dust entering into the spare cable gland. Material: stainless steel, M16~ M75 threads can be optional;
- ◇ The specification of thread can be customized on request.



安装管夹 Installation pipe clamp

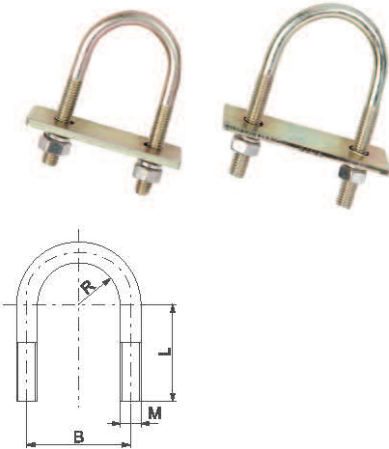
- ◇ 安装管夹由不锈钢制成；
- ◇ 适用于灯具在现场的安装，规格有G1/2"-G4"供选用。
- ◇ Installation pipe clamp is made of stainless steel;
- ◇ Suitable for field installation of light fittings, specification: G1/2"-G4" are optional.



护口 sheath

- ◇ 护口通常与锁紧螺母配套使用，以保护电缆的外保护层不被破坏；
- ◇ 材质为锌合金内衬硬塑料护圈。
- ◇ Sheath is used with lock nut to protect the external protection layer of cable;
- ◇ Material: zinc alloy, built-in hard plastic protecting ring.

公称直径 Nominal diameter	15	20	25	32	40	50	65	80	100
管螺纹 Pipe thread	1/2"	3/4"	1"	1 1/4"	1 1/2"	2"	2 1/2"	3"	4"



U型管卡 U type pipe clamp

- ◇ U型管卡是仪表电气安装时，控缆或电缆穿管，仪表气源镀锌管，分析仪采样管及工艺管线等管子的固定卡件；采用20#镀锌圆钢制作。
- ◇ When installing the instrument, the U type pipe clamp is used to fix the steel pipe, galvanized pipe, sampling pipe and process pipe etc. It is made of 20# galvanized round steel.

卡管尺寸 Size of pipe clamp	固定螺母M Fixed nut	外形尺寸 Outline dimension		
		B	L	R
1/2"	M6	30	28	12
3/4"	M6	34	30	14
1"	M6	42	35	18
1 1/4"	M8	50	40	21
1 1/2"	M8	58	44	25
2"	M8	70	51	31
2 1/2"	M8	84	55	38
3"	M8	94	60	43
4"	M10	126	80	58



压紧螺母 Compression nut

- ◇ 压紧螺母用于电缆布线引入装置的电缆密封夹紧，碳素钢或不锈钢材质，规格有M16~M75等供选用；
- ◇ 螺纹规格可根据要求定制。
- ◇ Compression nut is used for clamping the cable. Material: carbon steel or stainless steel, M16~ M75 threads can be optional;
- ◇ The specification of thread can be customized on request.